

# VC-144

## RADIO RECEIVER

Our VC-144 receiver is the flagship wireless control platform in our lineup. It's loaded down with I/O count and options, and can run any of our radios at any frequency. It's a processing powerhouse for demanding applications with its high-powered DSP processor, and up to 37 pins available for I/O and data. It's able to accept and provide almost any signal type common in the mobile industry. In addition, it's got WiFi, RS-232, and dual CAN available (normally via SAE-J1939). We handle all of this in a module that's only 5.76"x6", highly environmentally hardened, fully solid-state, and 100% US-made (down to the board level) in our facility.



### PHYSICAL

<b>Weight</b>	1.0 lb.	<b>Ingress Protection</b>	IP66
<b>Operating Temperature</b>	-40° to +85° C	<b>Housing Material</b>	Glass-filled polymer
<b>Storage Temperature</b>	-55° to +85° C	<b>Certification</b>	FCC, IC, C-Tick, others on request

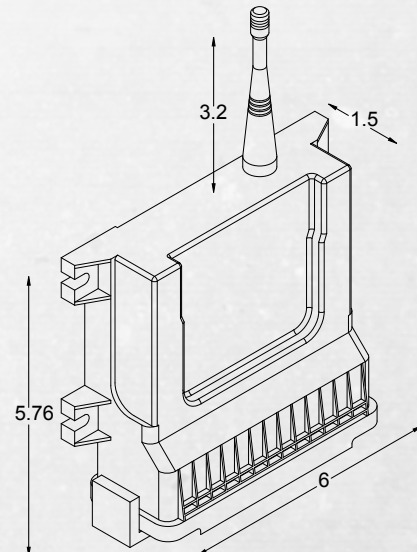
### I/O:

<b>Protocols</b>	RS-232, CANbus (2x): SAE-J1939, RF: 900MHz FHSS or 2.4GHZ DSSS, WiFi		
<b>Supply Voltage</b>	12V/24V nominal (9V - 30VDC)		
<b>Analog Inputs</b>	18 Maximum, 0-32VDC (other ranges available), 12-bit resolution with on-board 5V Reference supply available for sensors. Inputs are protected from overvoltage & transient spikes.		
<b>Digital Inputs</b>	18 Maximum	12/24V nominal input range with protection for overvoltage/transient spike	
<b>Frequency Inputs</b>	1 Maximum		
<b>Quadrature Inputs</b>	None		
<b>PWM Outputs</b>	14 Maximum (12CR), 5A max, sourcing		
<b>Digital Outputs</b>	30 Maximum		
<b>Variable Voltage Outputs</b>	12 Maximum, 0-30V (other ranges available)		

\*These are maximums only. Using all the inputs or outputs of one type may limit other I/O. Please contact us for no-charge application support.

### WIRELESS:

<b>Frequency</b>	900MHz FHSS, 2.4GHz DSSS. With powers up to 100mW
<b>Operating Range</b>	300ft, 1000ft, or Half Mile (nominal)



111 Enterprise Road, Delafield, Wisconsin 53018  
(262) 646-9444 | sales@kar-tech.com

ALL PRODUCTS PROUDLY DESIGNED & MANUFACTURED IN THE USA

